

ROUND

T5c | 2Gx13



14322.122140.00	1x22W + 1x40W
14322.122155.00	1x22W + 1x55W
14322.140.00	1x40W
14322.155.00	1x55W



T5c | 2Gx13



14332.122140.00	1x22W + 1x40W
14332.122155.00	1x22W + 1x55W
14332.122160.00	1x22W + 1x60W
14332.140160.00	1x40W + 1x60W
14332.155.00	1x55W
14332.160.00	1x60W
14332.140.00	1x40W



2xTCL + 4xT5 | 2G11+ G5



14342.224424.00	2x24W + 4x24W
14342.218414.00	2x18W + 4x14W



14352.00.00	2x39W + 6x24W + 2x24W T5 G5 + T5 G5
14352.01.00	2x21W + 6x14W + 2x18W +TCL 2G11
14352.02.00	2x39W + 2x24W T5 G5
14352.03.00	2x39W + 4x24W T5 G5
14352.04.00	6x18W T8 G13
14352.05.00	8x14W T5 G5

14352.00.00 5x14W | T5 | G5
14352.06.00 8x24W | T5 | G5

∅ 905



P44 V CE ±

14362.00.00 5x28W + 2x14W + 2x18W | T5 G5 + T5 G5
14362.01.00 5x39W + 2x24W + 2x24W | +TCL 2G11
14362.02.00 2x18W + 2x30W | T8 | G13
14362.03.00 2x39W + 2x14W | T5 | G5
14362.04.00 2x39W + 4x14W | T5 | G5

∅ 1105



ROUND

Surfaced luminaire. The body made of steel sheet, powder-coated in white.

Oprawa wpuszczana. Korpus wykonany z blachy stalowej, malowany białym proszkiem.
Dyfuzor daje rozproszone, komfortowe światło.



95 black glossy RAL 9005
 05 black RAL 9005
 06
 91 white glossy RAL 9010
 92 red glossy RAL 2002
 90

TCF / TCS



14302.124.00 1x24W | TCF | 2G10
14302.029.00 2x9W | TCS | 2G7

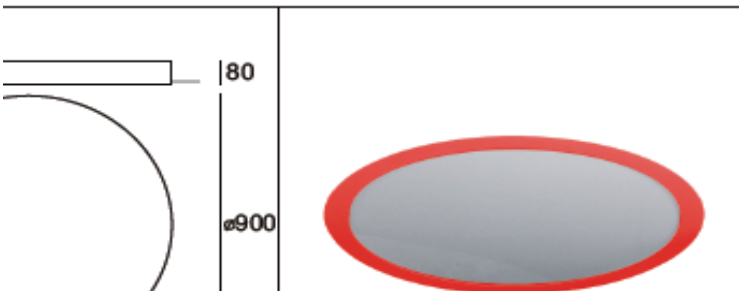
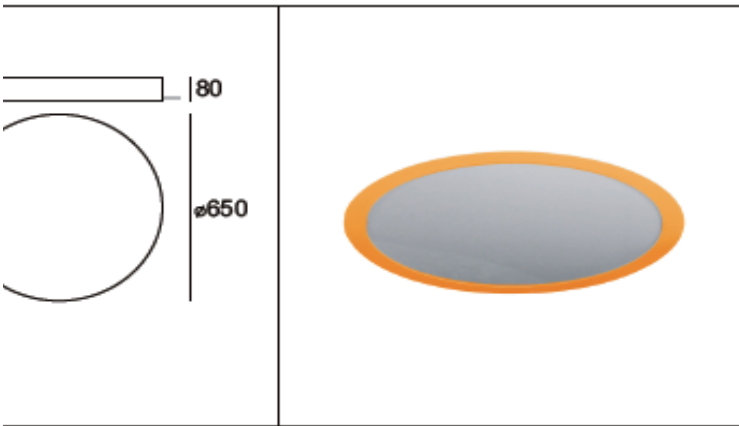
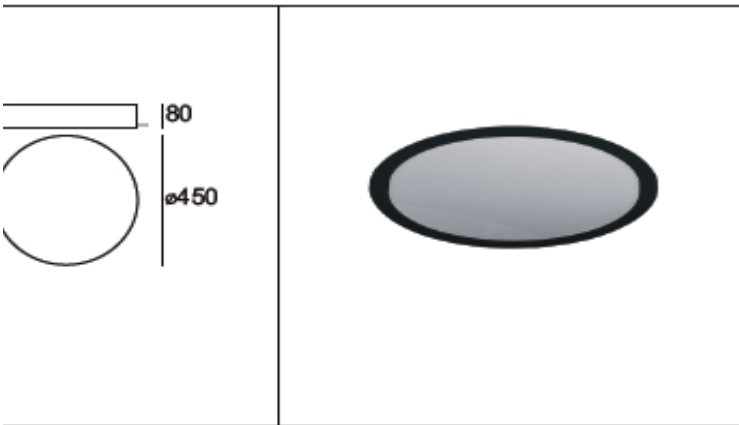
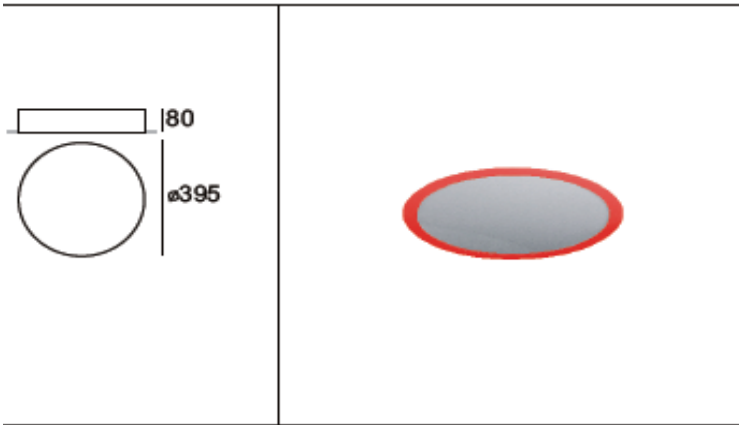
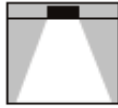


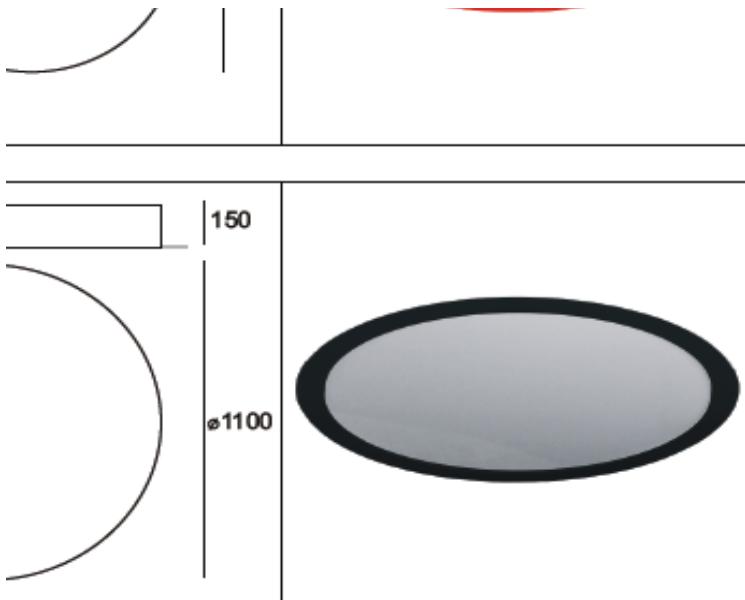
TC-DEL | TC-TEL | T5c



14312.226.00 2x26W | TC-DEL | G24q-3
14312.232.00 2x32W | TC-TEL | Gx24q3
14312.242.00 2x42W | TC-TEL | Gx24q4
14312.122.00 1x22W | T5c | 2Gx13







LIRA LIGHTING 154



white. White polycarbonate diffuser.

proszkowo, dyfuzor poliwęglanowy biały.



grey RAL 9006 10 white RAL 9010
orange glossy RAL 2000

